

Precision pressure regulator FR 1

- single stage with balanced main valve for mbar applications and instrumentation



Description:

The FR1 is a single-stage precision pressure regulator with balanced main valve.

The FR1 is for installation in piping systems, for installation in control panels or for integrating in instruments (instrumentation).

The Integrated balanced poppet ensures that even when inlet pressure drops down a constant operating pressure is guaranteed (dual stage effect).

An easily replaceable sinter metal filter element is integrated into the pressure regulator as standard.

Application area:

The precision pressure regulator FR1 is used particularly in the following areas:

- Gas analysis
- Gas chromatography
- Instrumentation
- Process engineering
- Metallurgy
- Laboratory applications
- mbar applications

Technical details:

Body:	aluminium anodised or stainless steel
Valve seat:	stainless steel
Gaskets:	viton / NBR
Diaphragm:	viton / NBR / stainless steel
Max. Inlet pressure:	12 bar
Outlet pressure ranges:	50mbar to 7 bar
Operating temp.:	-20 to +70°C
Dimensions:	106 x 48
Weight:	240g
Threads:	in- / outlet NPT 1/8" f

Hornung Quality standard

The company Hornung is certified to **DIN EN ISO 9001 and ISO 14001:2009.**

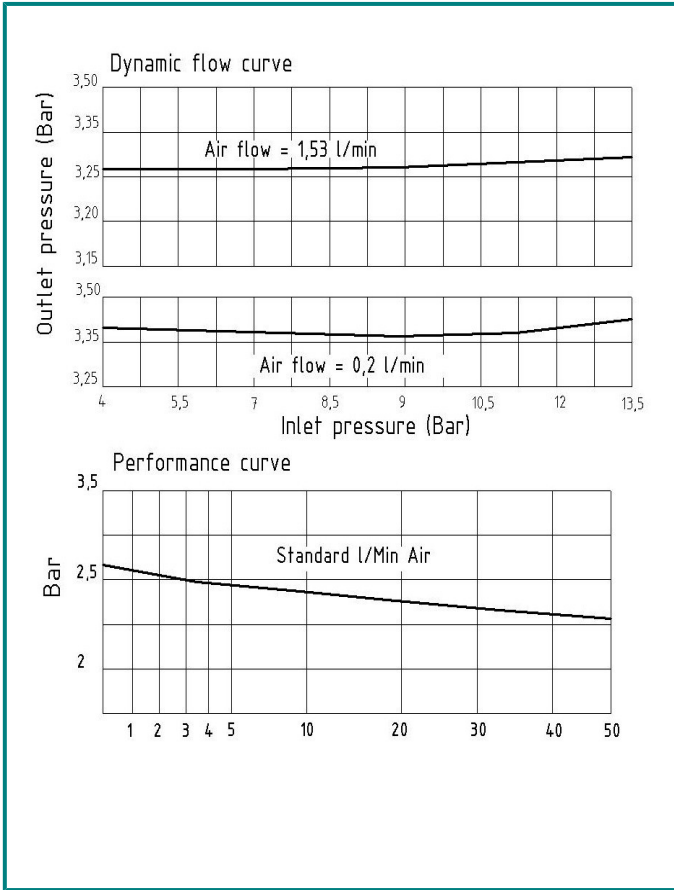
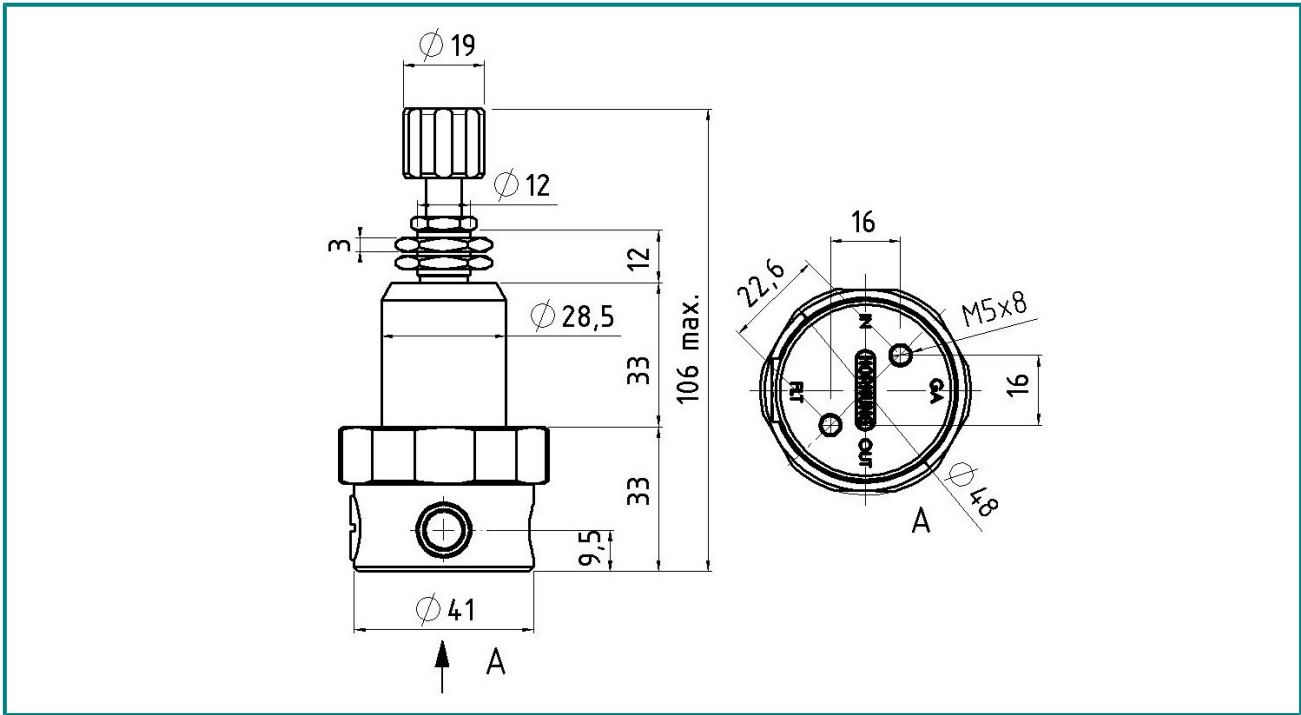
All single parts are manufactured, assembled and tested by in-house production.

The finished parts are therefore under all criteria of German quality control with 100% final inspection.

Hornung GmbH
Rathenaustraße 55, 63263 Neu-Isenburg

Phone: +49 6102 7883-70
Fax: +49 6102 7883-40

www.hornung.org
info@hornung.org



Accessories:

7. Gauges, compression fittings and accessories
 9. Console

Ordering information:

Body: 1 = aluminium
 2 = st. steel (1.4404)

Diaphragm: 1 = NBR
 2 = viton
 3 = st. steel (1.4435)
 4 = hastelloy (2.4610)

Gaskets: 1 = NBR
 2 = viton

Gauge: 0 = none
 1 = outlet gauge

Pressure area:
 1 = up to 170 mbar
 2 = up to 350 mbar
 3 = up to 500 mbar
 4 = up to 700 mbar
 5 = up to 2,1 bar
 6 = up to 4,2 bar
 7 = up to 7,0 bar

Order example:

Regulator type	
27	FR 1

27-	2	3	2	1	4	Gas
Type	Body	Diaphragm	O-Rings	Gauge	Pressure	Gas